

Series GRM



Ventilation grille with gravity shutters

Application

- Exhaust ventilation, heating and air conditioning networks in industrial, commercial and domestic premises.

Design

- Made of high-quality metal shape with polymer coating
- Polymer or anodized grille coating ensures weather-resistant properties.
- Shutters are made of PVC plastic.
- Non-standard sizes may be ordered.

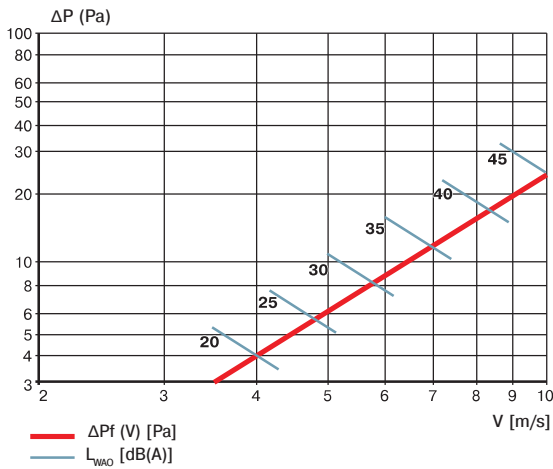
Modifications

- Available modifications with an adapter (A) for connection to air ducts, page 42.
- Available modifications with versatile fixing (u) or with special springs (p) for fast mounting, page 44.

Standard size [mm]

| Model | Inner cross section size | L | L1 | L2 | e |
|---------|--------------------------|-----|-----|-----|-------|
| GRM 200 | 116x116 | 200 | 150 | 136 | - |
| GRM 250 | 166x166 | 250 | 200 | 186 | - |
| GRM 285 | 200x200 | 284 | 234 | 220 | - |
| GRM 300 | 220x220 | 300 | 250 | 236 | - |
| GRM 335 | 250x250 | 334 | 284 | 270 | - |
| GRM 350 | 266x266 | 350 | 300 | 286 | - |
| GRM 385 | 300x300 | 384 | 334 | 320 | - |
| GRM 400 | 316x316 | 400 | 350 | 336 | - |
| GRM 435 | 350x350 | 434 | 384 | 370 | - |
| GRM 450 | 366x366 | 450 | 400 | 386 | - |
| GRM 485 | 400x400 | 484 | 434 | 420 | - |
| GRM 535 | 450x450 | 534 | 484 | 470 | - |
| GRM 550 | 466x466 | 550 | 500 | 486 | - |
| GRM 585 | 500x500 | 584 | 534 | 520 | 257,0 |
| GRM 635 | 550x550 | 634 | 584 | 570 | 282,0 |
| GRM 655 | 571x571 | 655 | 605 | 591 | 292,5 |
| GRM 685 | 601x601 | 685 | 635 | 621 | 307,5 |
| GRM 715 | 630x630 | 714 | 664 | 650 | 322,0 |
| GRM 725 | 641x641 | 725 | 675 | 661 | 327,5 |
| GRM 805 | 721x721 | 805 | 755 | 741 | 367,5 |
| GRM 835 | 751x751 | 835 | 785 | 771 | 382,5 |

Pressure loss and sound power level



Calculation formula

$$\Delta P_p = \Delta P \times K_p$$

Calculation formula

$$L_{WA} = L_{WAO} \times K$$

Correction factor K_p

| | 0° | 22° | 45° |
|-------|----|------|-----|
| K_p | 1 | 1,25 | 1,5 |

Correction factor K

| | 0,01 | 0,02 | 0,05 | 0,1 | 0,2 | 0,4 |
|----------------------------|------|------|------|-----|-----|-----|
| S_{ap} [m ²] | | | | | | |
| K [dB(A)] | -9 | -6 | -3 | 0 | +3 | +6 |

Designation:

ΔP_p – pressure loss at various vane positions [Pa]

ΔP – pressure loss [Pa]

K_p – correction factor for pressure loss calculation depending on louvre deflection angle

L_{WA} – sound power level [dB(A)]

L_{WAO} – sound power level for air pass 0.1 m² [dB(A)]

K – correction factor for sound power level calculation depending on air pass [dB(A)]

S_{ap} – air pass [m²]

V – rated speed [m/s]

Order code



Grille type:

GRM – gravity grille

Grille coating:

"___" – colour* (white by default)

Grille size:

L – outer size [mm]

Accessories:

___ – no
A – adapter

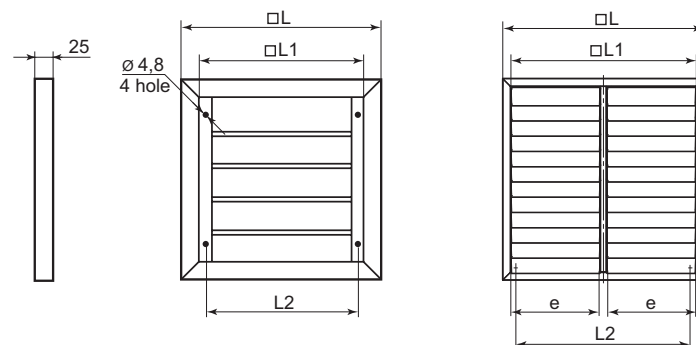
Grille fixation:

u – versatile
p – springs

* Standard polymer coating colours:



Overall and mounting dimensions



GRM 200 - GRM 550

GRM 585 - GRM 835