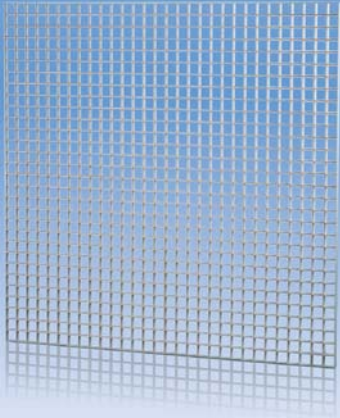


RD series



Decorative ventilation grille

Application

- Supply and exhaust ventilation, heating and air conditioning networks in industrial, commercial and domestic premises.

Design

- Made of high-quality plastic.
- Weather- and temperature-resistant.
- Simple and quick mounting.

Colour modifications



UV-resistant



Waterproof



Heat-resistant



Frostproof



Easy mounting



Fire-resistant



Antibacterial

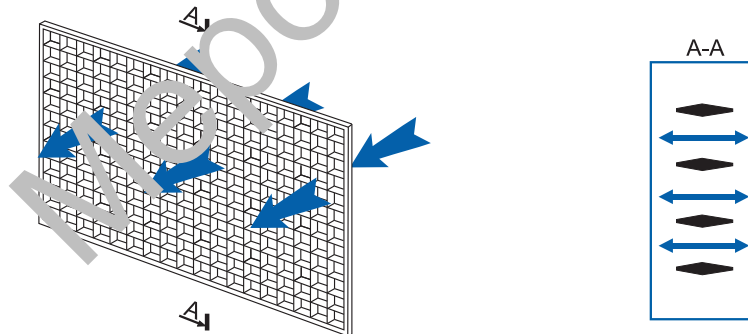


Durable

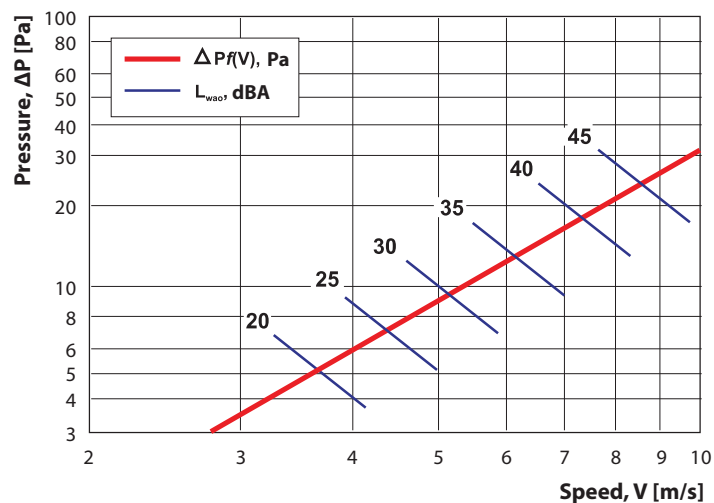


Maintenance-free

Air flow distribution

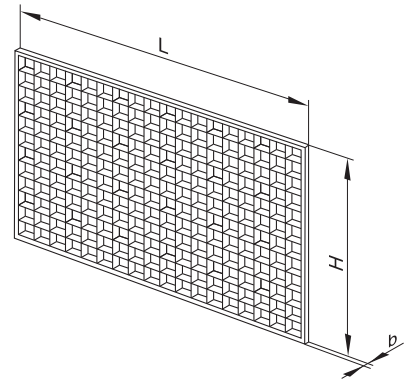


Pressure loss and sound power diagram



Overall dimensions

Model	Dimensions [mm]		
	L	H	b
RD 600/1 M	300	300	10
RD 600/2 M	600	300	10
RD 600 M	600	600	10
RD 600/6 M	600	900	10
RD 600/8 M	600	1200	10
RD 600/1 L	300	300	12
RD 600/2 L	600	300	12
RD 600 L	600	600	12
RD 600/6 L	600	900	12
RD 600/8 L	600	1200	12
RD 600/1	300	300	15
RD 600/2	600	300	15
RD 600	600	600	15
RD 600/6	600	900	15
RD 600/8	600	1200	15



Мерокер KFT