

# Technical Data Sheet

CODE 12106

## VORT HR 350 AVEL

Wall-mounting residential heat recovery unit

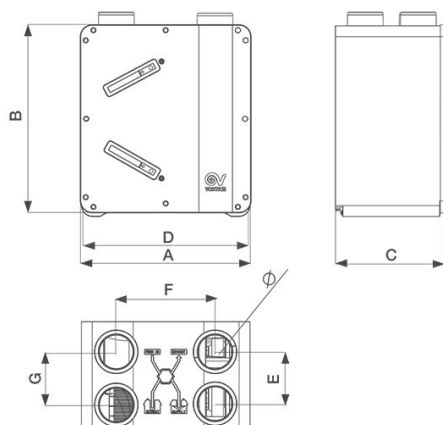


æŠ-“ñŕß-“Ûî!

### TECHNICAL AND PERFORMANCE DATA

Absorbed Current max (A)	1,4	Delivery max (l/s)	100
Absorbed Power max (W)	165	Delivery max (m³/h)	350
Filter class	F5	Pressure max (mmH2O)	90,5
Frequency (Hz)	50	Pressure max (Pa)	90
Insulation Class	1°	Sound power level - radiated Lw [dB(A)]	880
IP	X2	Sound power level exhaust inlet Lw [dB(A)]	57,3
Max ambient temperature for continuous operation (°C)	25	Sound power level supply outlet Lw [dB(A)]	43,6
Max Temperature of Exhaust Air (Continuous Operation)	40	Sound pressure level air extraction Lp [dB (A)] 3m - max speed	60,2
Min ambient temperature for continuous operation (°C)	0	Sound pressure level air supply Lp [dB (A)] 3m - max speed	23,1
Voltage (V)	230	Sound pressure level radiated Lp [dB (A)] 3m - max speed	39,7
Weight (Kg)	22		36,8

### DIMENSIONS



Diametro Ø (mm)	150
Etichetta Energetica	NO
Size A (mm)	712
Size B (mm)	845
Size C (mm)	455
Size D (mm)	700
Size E (mm)	215
Size F (mm)	410
Size G (mm)	220

#### PER INFORMAZIONI:

Servizio al Cliente: tel +39 02 90699395 premendo 1 dopo messaggio registrato (consulenza su prodotti e impianti)

Pre & Post Vendita: fax +39 02 90699302

Email prevendita: [prevendita@vortice-italy.com](mailto:prevendita@vortice-italy.com)

# Technical Data Sheet

CODE 12106

## VORT HR 350 AVEL

Wall-mounting residential heat recovery unit



---

### DESCRIPTION

### ACCESSORIES



**CTEMP**  
Code 12992



**CSMOKE**  
Code 12993



**CHCS**  
Code 12994



**CPIR**  
Code 12998



#### PER INFORMAZIONI:

Servizio al Cliente: tel +39 02 90699395 premendo 1 dopo messaggio registrato (consulenza su prodotti e impianti)

Pre & Post Vendita: fax +39 02 90699302

Email prevendita: [prevendita@vortice-italy.com](mailto:prevendita@vortice-italy.com)