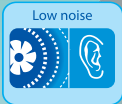


VENTS Style Series

NEW!



Innovative domestic extract fan with automatic shutters, low-noise operation and low energy consumption

25
dB(A)

9 W

97
m³/h

Applications

- Innovative extract fan with stylish design for enhanced comfort level in shower rooms, bathrooms, kitchens and other residential premises.
- Maximum air flow combined with low noise level provide the ideal microclimate.
- Intermittent or continuous ventilation of bathroom, shower rooms, kitchens and other utility spaces.
- Mounting into ventilation shafts or connection to Ø 100 mm air ducts.

Design

- The casing and the impeller are made of high-quality and durable UV-resistant plastic.
- Due to its modern look the fan is compatible with any interior design.
- Specially designed impeller aerodynamic profile provides high air capacity and low noise.
- A shortened spigot for mounting into a ventilation shaft or direct connection to Ø 100 mm air duct.
- The fan exhaust spigot incorporates specially designed air rectifiers to reduce air turbulence, noise level and boost air pressure.
- The removable ventilation unit enables easy maintenance.

- High ingress protection rating makes the fan the ideal bathroom ventilation solution. The electronic components are protected with tight covers.
- The integrated thermal actuator enables smooth opening and closing of the front panel to prevent backdrafting.

Motor

- Reliable ball bearing motor with low energy demand.
- Maintenance-free bearings contain enough grease for 40 000 hrs non-stop operation.
- Motor on special anti-vibration dampers for vibration absorbing and silent operation.
- Motor equipped with electric overheating protection.

Modifications and Options

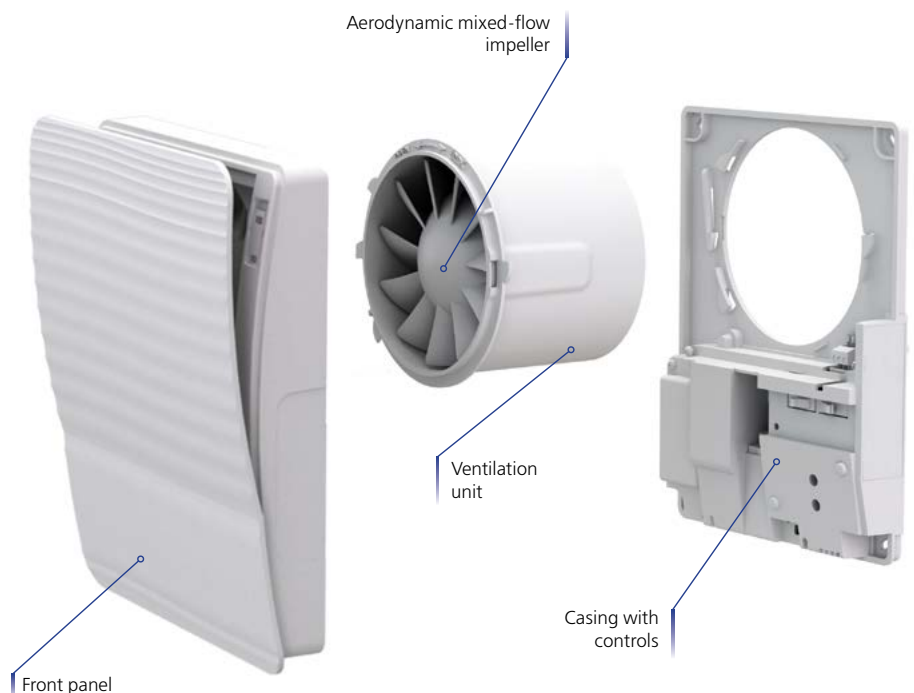


VENTS 100 STYLE T: modification with a turn-on delay timer regulated from 0 to 2 minutes, a turn-off delay timer regulated from 2 to 30 minutes and an interval timer (activation of the fan each 0, 6, 12 or 24 hours).



VENTS 100 STYLE TH: modification with a turn-off delay timer regulated from 2 up to 30 minutes and a humidity sensor regulated from 60% up to 90%.

Design features



Control

- Manual operation with a room light switch. The switch is not included in the delivery set.

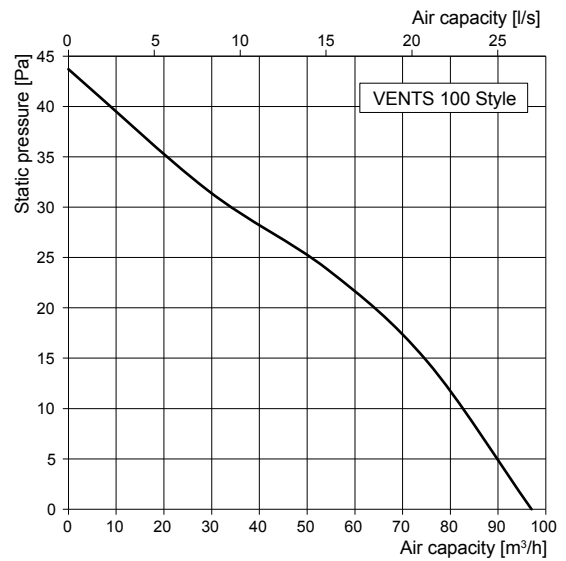
Accessories



Technical data

Model	100 Style	100 Style (220-240 [V] / 60 [Hz])
Voltage [V] / 50 Hz	220-240	
Frequency [Hz]	50	60
Power consumption [W]	9	
RPM [min ⁻¹]	2160	
Current [A]	0.059	
Maximum air capacity [m ³ /h]	97	
Maximum air capacity [l/s]	27	
SFP [W/l/s]	0.33	
Sound pressure level at 3 m [dB(A)]	25	
Weight [kg]	0.55	
IP	44	

Aerodynamic characteristics

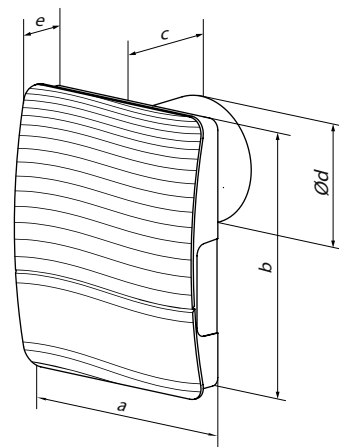


Mounting example



Overall dimensions

Model	Dimensions [mm]				
	a	b	c	Ø d	e
VENTS 100 Style	175	221	77	99	39



Certificates



The fans meet the applicable safety and electromagnetic compatibility standards.