

Series
VENTS VOK1



Axial roof fans with the air capacity up to **1700 m³/h** in the steel casing with the horizontal exhaust of air.

■ **Applications**

Exhaust ventilation system for various premises suitable for roof mounting. Compatible with Ø 200 to 315 mm round air ducts.

■ **Design**

The fan casing is made of steel with polymeric coating, impeller is made of aluminium.

■ **Motor**

Single-phase asynchronous motor with external rotor and built-in thermal protection with automatic restart. Ball bearings ensure long service life. Motor protection rating IP 44.

■ **Speed control**

Both smooth or step speed control is performed by means of the thyristor or autotransformer controller. Several fans can be connected to one controller under condition that the total power and operating current do not exceed the rated controller values.

■ **Mounting**

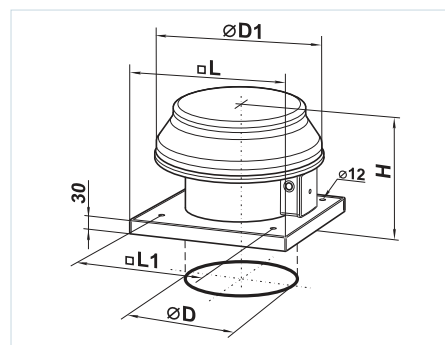
The fan is mounted on the roof directly above the ventilating duct or shaft and is firmly fixed to the flat surface by means of a connecting plate. While mounting VOK1 fans directly onto the flat roof a supporting block shall be provided to prevent water and snow drops into the vent of the ventilation shaft. Electrical connection and installation shall be performed in compliance with the manual and wiring diagram on the terminal box.

Technical data:

	VOK1 200	VOK1 250	VOK1 315
Voltage [V / 50 Hz]	230	230	230
Power [W]	4	68	110
Current [A]	0,22	0,48	0,75
Maximum air flow [m ³ /h]	405	1070	1700
RPM [min ⁻¹]	1300	1300	1300
Noise level at 3 m [dB(A)]	32	48	54
Maximum operating temperature [°C]	50	50	50
Protection rating	IP X4	IP X4	IP X4

Fan overall dimensions:

Type	Dimensions [mm]					Mass [kg]
	ØD	ØD1	H	L	L1	
VOK1 200	207	341	220	425	330	4,9
VOK1 250	262	401	250	425	330	6,8
VOK1 315	312	500	260	585	450	9,2



Designation key:

Series VENTS VOK1	Impeller diameter 200; 250; 315
-----------------------------	------------------------------------

Accessories



